



Mono 182

PMS50W-32M182

Mono Solar Module



Multiple Main Grid Design

Better light utilization and current collection capability, effectively improve product power output and reliability.

Anti PID Guarantee

The attenuation rate caused by PID phenomenon is minimized by battery production technology optimization and material control.

Adaptability To Harsh Environments

Third party certification through high salt spray and high ammonia corrosion test.

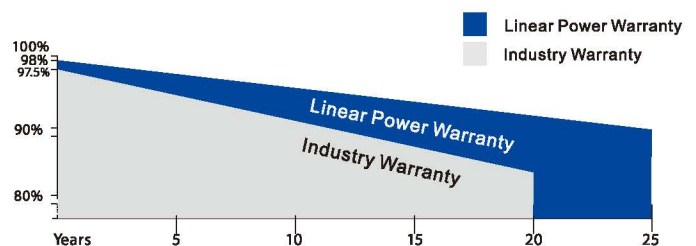
Capacity Of Load

The whole assembly passes 2400Pa wind load and 5400Pa snow load.

Quality Guarantee

5-Year Warranty for Materials and Processing

25-Year Warranty for Extra linear Power Output

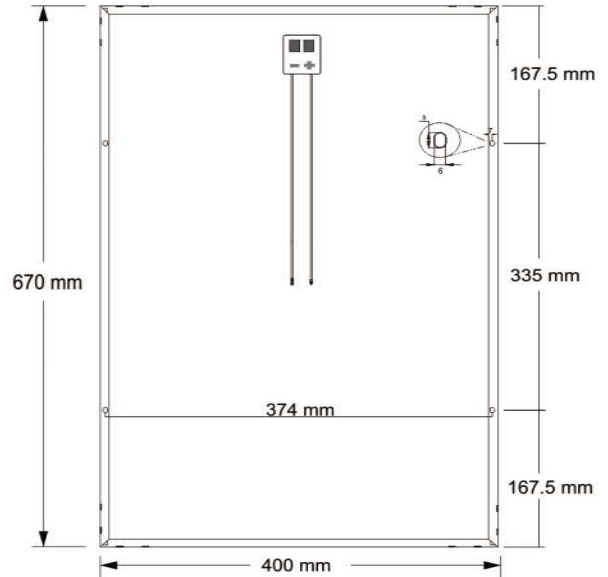


Electrical Parameters at (STC)

Power	50W
Module Efficiency	18.6%
Voltage at Pmax (Vmp)	18.24V
Current at Pmax (Imp)	2.74A
Open Circuit Voltage (Voc)	21.80V
Short Circuit Current (Isc)	2.97A
Power Tolerance (W)	±3%

Mechanical Parameters

Solar Cell (Type/Size)	Mono(182mm)
Solar Cells Number	32Pcs(2*16)
Dimension	670*400*25mm
Weight	3.80KG/Pcs
Tempered Glass	3.2mm High Permeability Coated
Frame	Anodized aluminum alloy
Junction Box	IP67/0*bypass diode
Cable	//
Connector	//
Mechanical Load	Front 5400PA/back 2400PA



Mechanical Diagrams

Packing

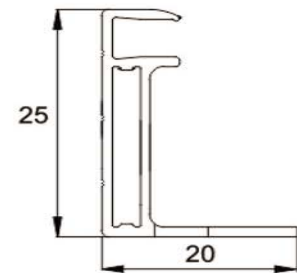
Carton Size	680*410*135mm
Number	5Pcs/Ctn
Weight	20KG/Ctn
Volume	0.038Cbm/Ctn
20GP Container	3360 Pcs
40HQ Container	8700 Pcs

STC

Light intensity	1000W/m ²
Battery temperature	25°C
Atmosphere quality	1.5

NOCT

Light intensity	800W/m ²
Battery temperature	20°C
Atmosphere quality	1.5
Wind velocity	1m/s



Units: mm/±2

Characteristics

