

JVS-A815-YWC

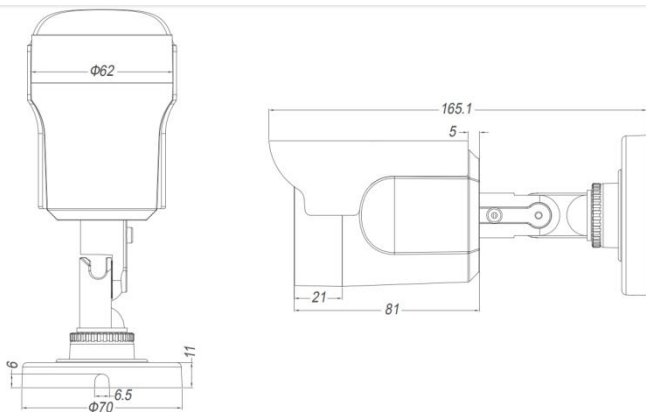
2MP Bullet HD Camera



Key Features

- 1/3" 2.0MP CMOS Sensor
- Full HD resolution 1920 x 1080
- 15Pcs IR LEDs, IR Range 20m.
- Support TVI, AHD, CVI, CVBS output
- UTC Coaxial Control
- Easy installation, HD video transfer over coaxial cable
- Ingress Protection IP66

Dimension(mm)



Specifications

Model	JVS-A815-YWC
Camera	
Image Sensor	1/3" CMOS Sensor
Image Resolution	1920x1080
Effective Pixels	2.0MP
TV System	PAL/NTSC
Electronic Shutter	Auto
S/N Ratio	≥50dB
Min. Illumination	0.05Lux@ (F2.0, AGC ON), 0LUX with IR
Scanning System	Progressive Scan
Lens	
Lens	Board Lens 4mm/F2.0
Lens Type	Fixed
Auto Iris Support	N/A
Night Vision	
Infrared SMD LED	10μ x 15 Pcs.
Infrared Distance	20m.
IR Cut Filter	Yes
IR Status	Under 10 Lux by CDS
IR Power On	CDS Auto Control
Day & Night	Auto (ICR) / Color / B&W
Camera Features	
OSD Menu Language	Support
White Balance	Auto
Gain Control	Auto
Noise Reduction	N/A
Picture Adjustment	N/A
WDR	N/A
OSD Support	Not Support
UTC	Support
General	
Housing	Plastic
Bracket	Yes
Operation Temperature	-20°C ~60°C
Working Humidity	10% ~ 90%
Power Source	DC12V±10%, 250mA
Dimension	180x75x85mm
Weight	≤230g